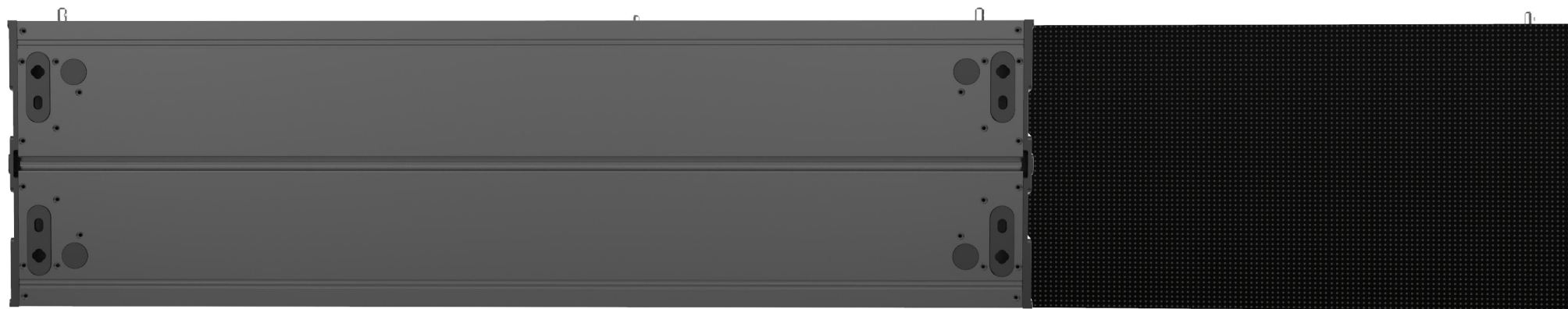


## WB Series Indoor Wall Mounted

CE ETL UL RoHS EMC



Hanging



Lightweight



Ultra slim



Noise Free

Complete front service.

Ultra slim design, total depth only 42mm.

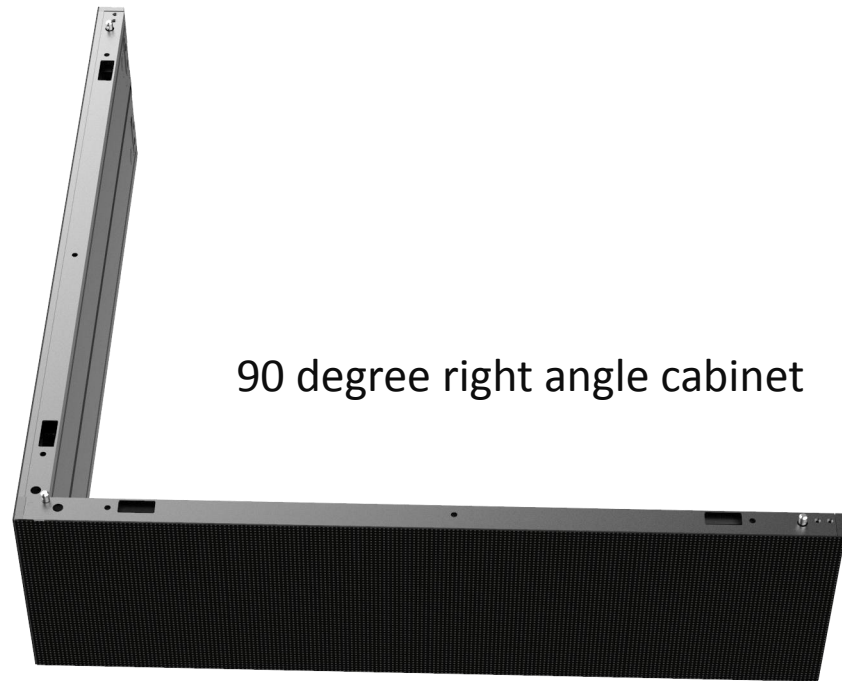
Module plug connector design, higher flatness, easier maintenance.

A whole piece of aluminum board on cabinet back, upgraded ventillation effect.

Available 90 degree curve angle cabinet, flexibly make various installations.

Noise-free design without fan.

Module dimension in 8:9 ratio.



90 degree right angle cabinet

closely mount on wall

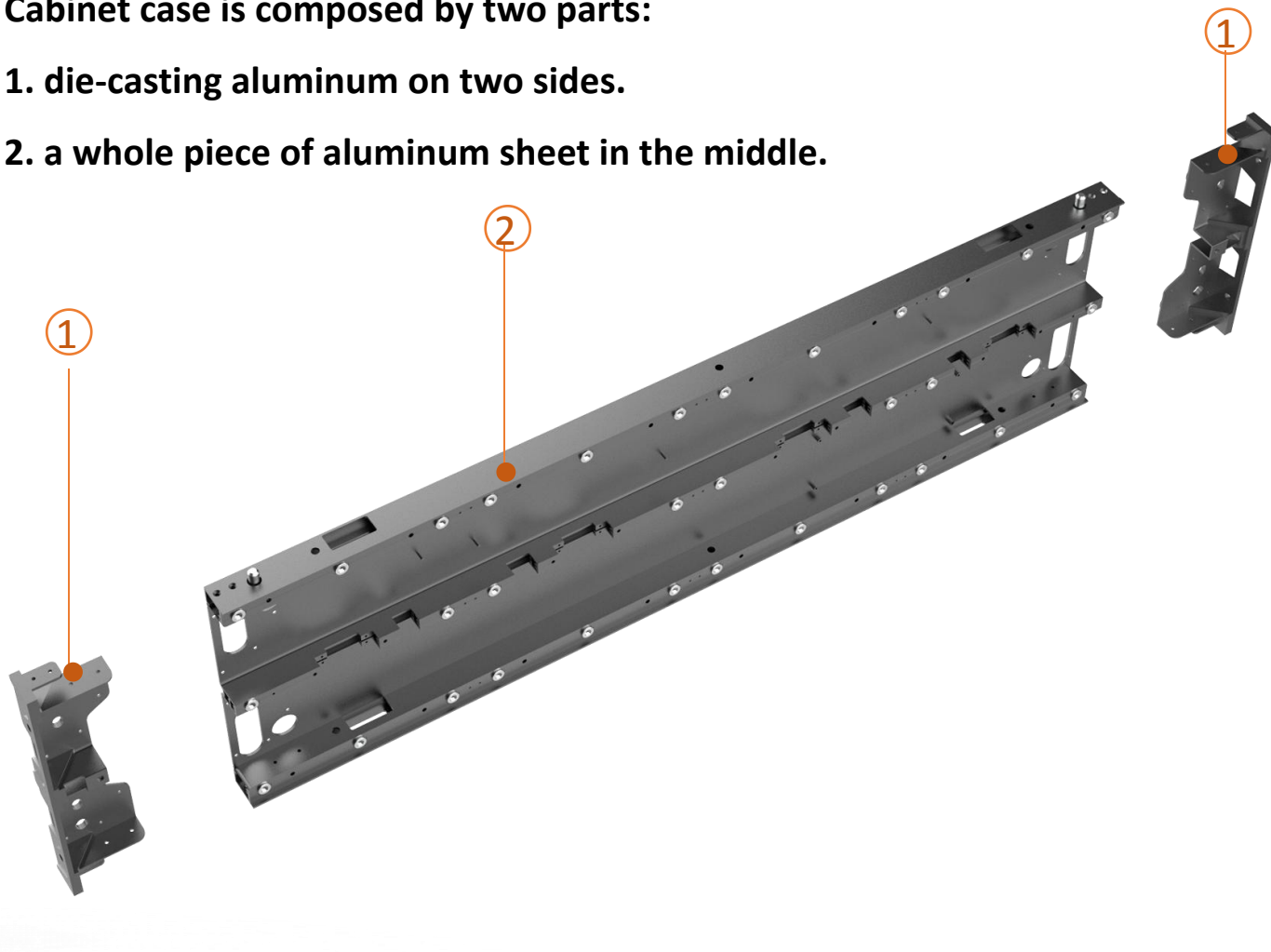


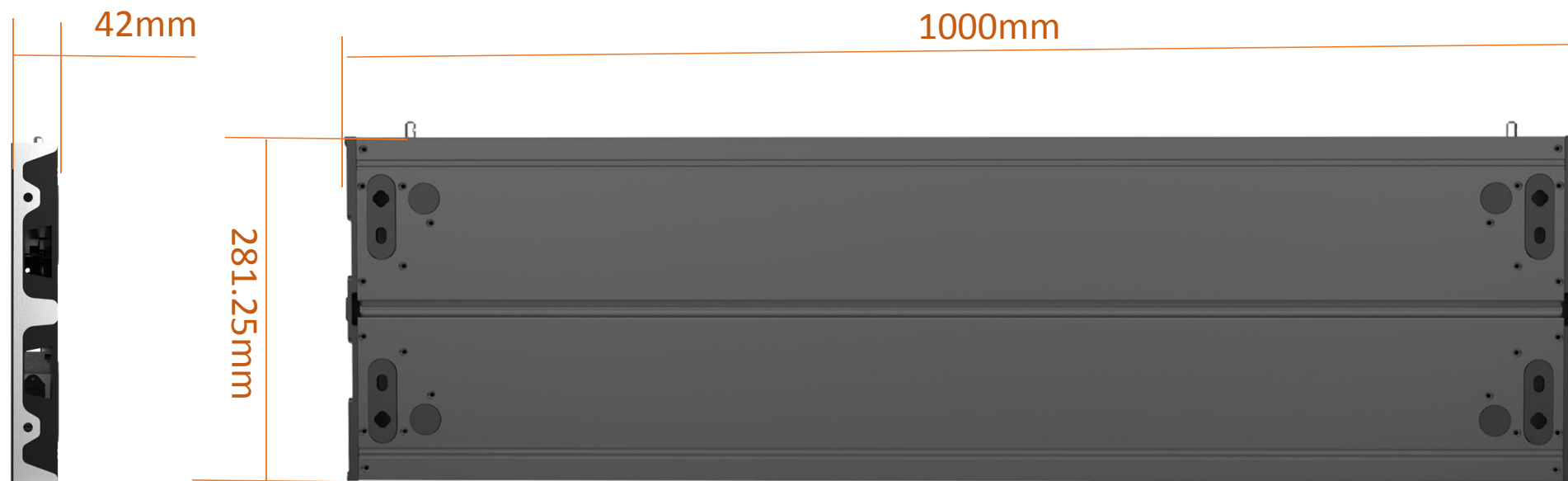
universal cabinet case for pitch 2.6/3.9mm



Cabinet case is composed by two parts:

1. die-casting aluminum on two sides.
2. a whole piece of aluminum sheet in the middle.

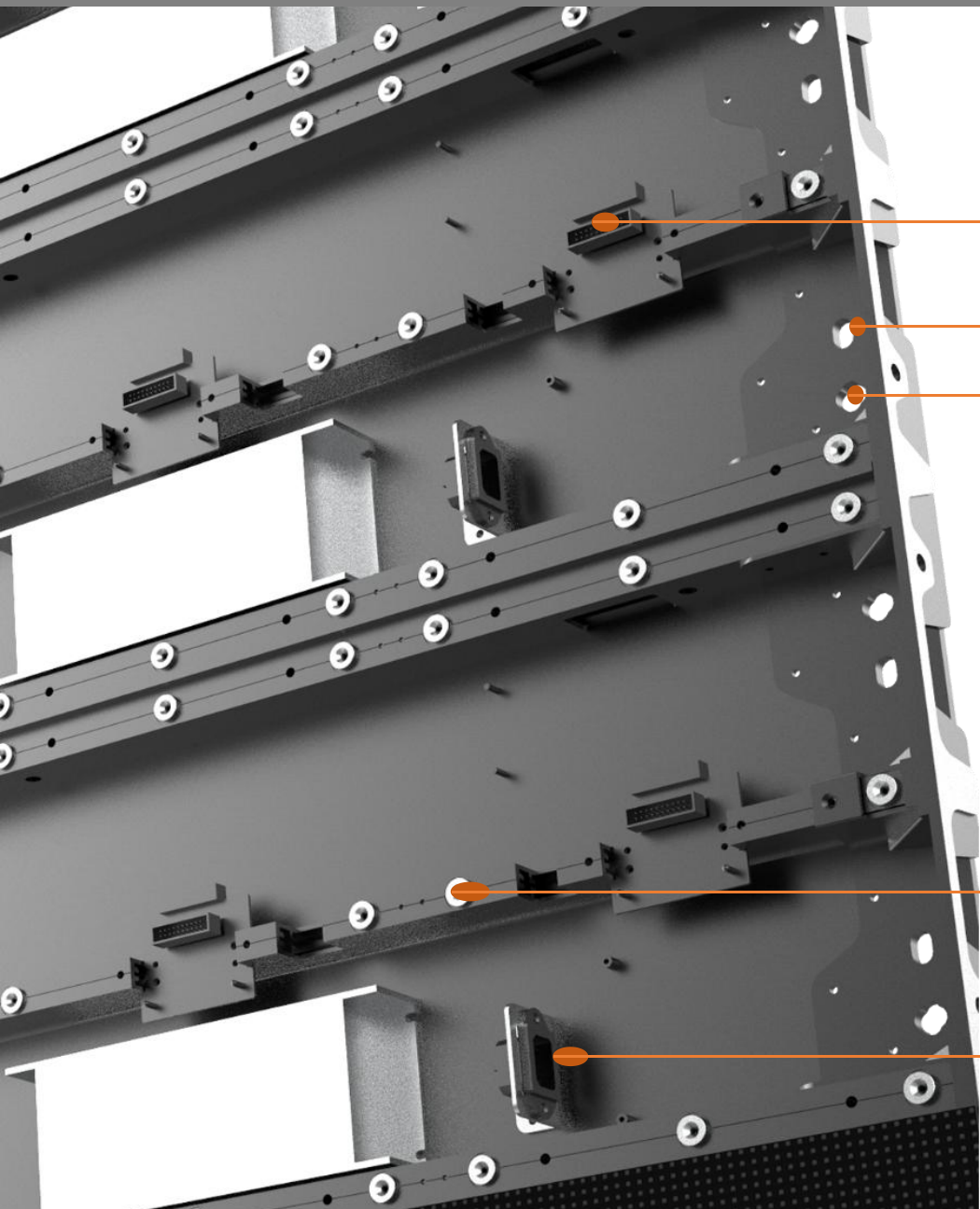




**WB2.6/3.9 module size is 250\*281.25mm.**

**WB2.9 module size is 250\*280mm.**

**(in order to match module size and pixel pitch in the best, WB2.9 module is smaller a little)**



1. data connector

2. front installation positioning hole

3. magnet

4. AC power input port

5. power & data cable threading hole

6. fixing point for 90 degree angle cabinet

①

②

②

③

④

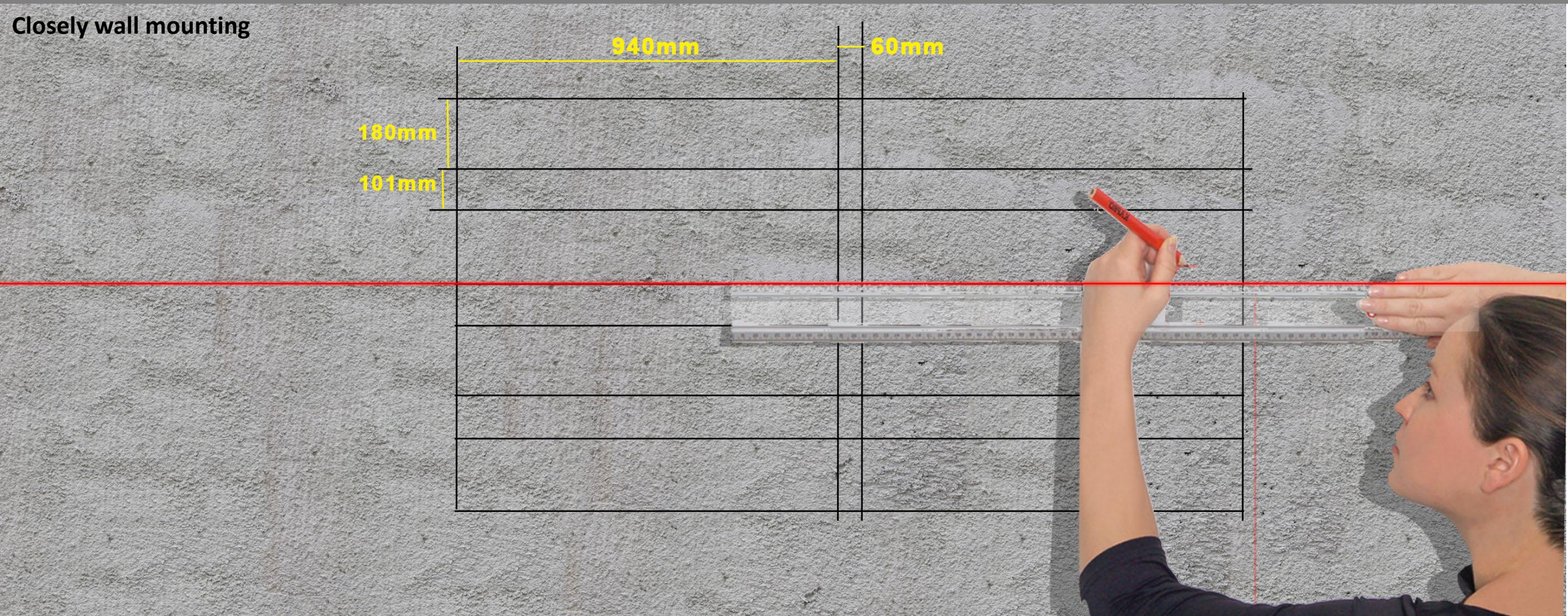
⑤

⑤

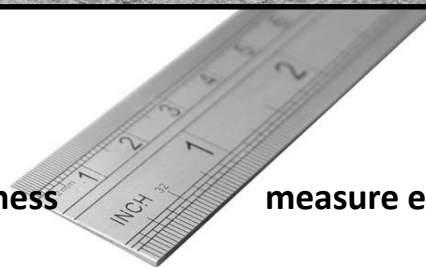
⑥



## Closely wall mounting



use laser range finder measure wall flatness and square dimensions



measure exact position for installation

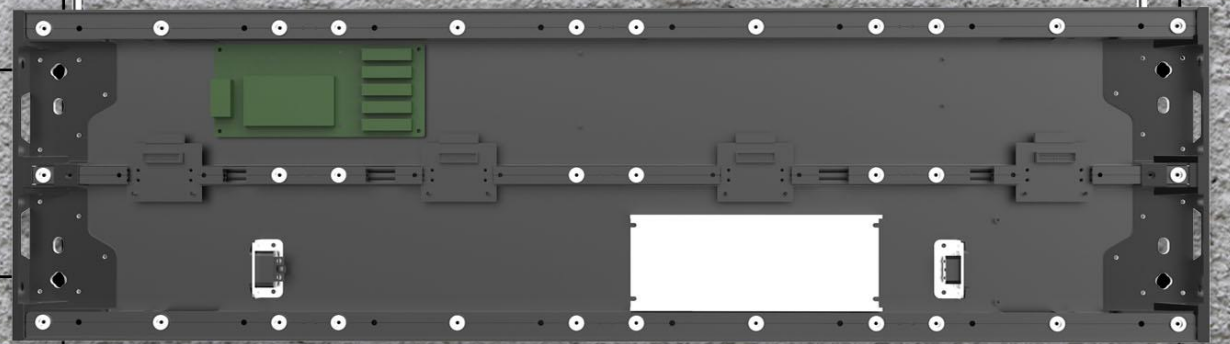


mark out the point to drill hole



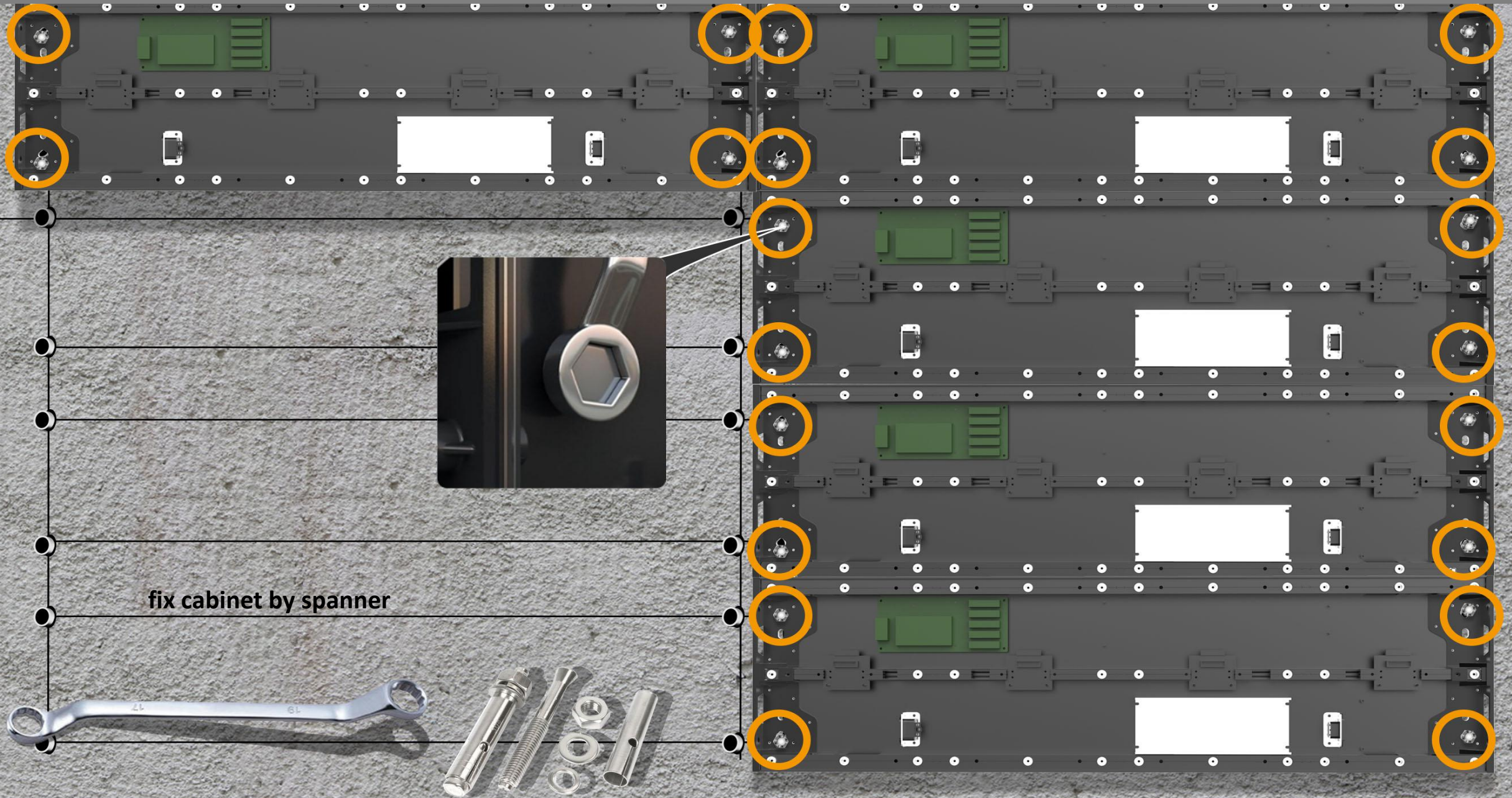
**drill holes on  
the exact point,  
fix in anchor  
bolt**





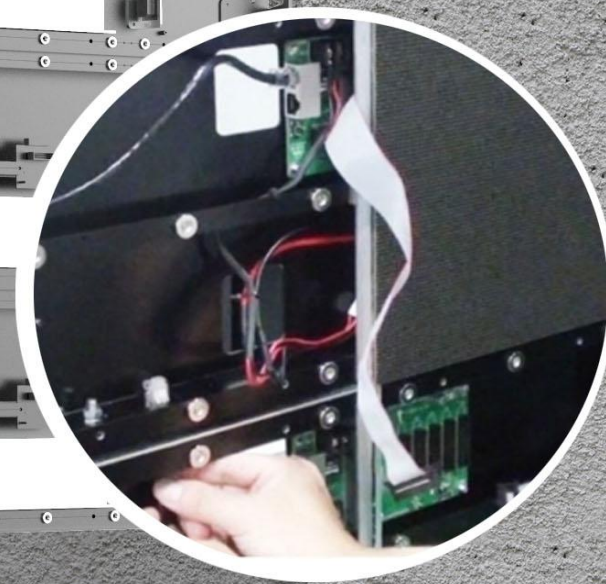
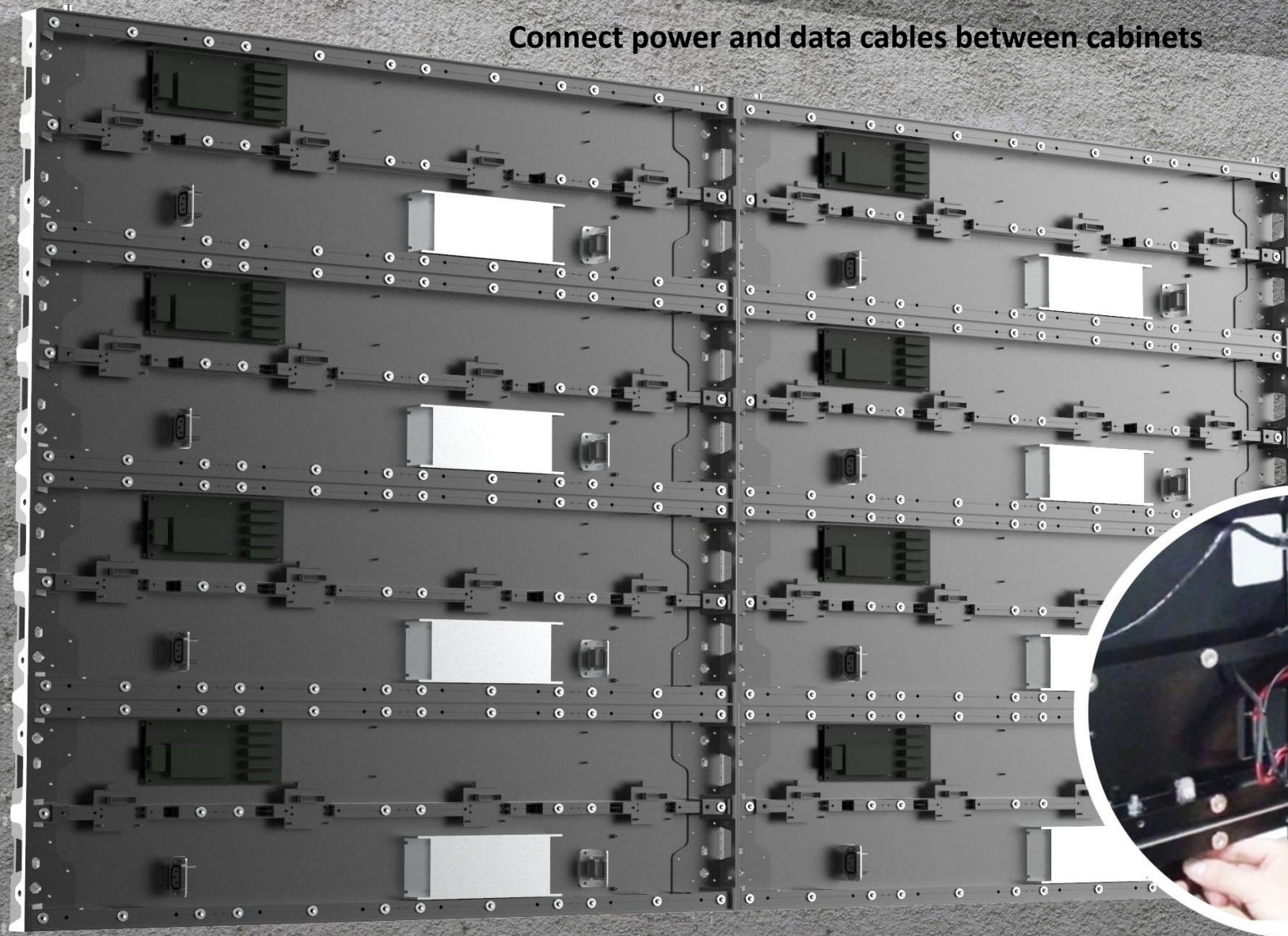
**hang on cabinet from front, drill nuts to fix cabinet.**



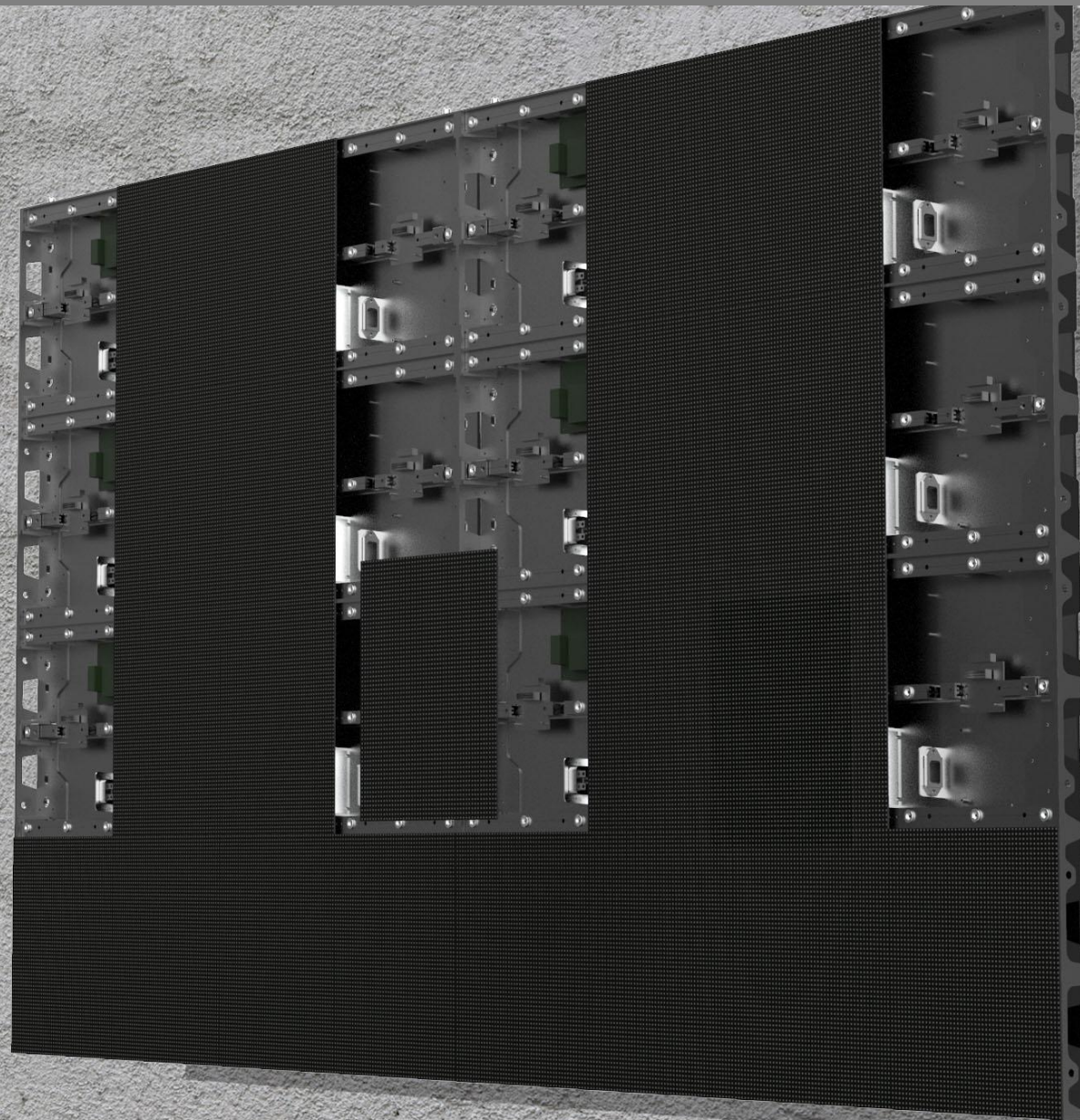


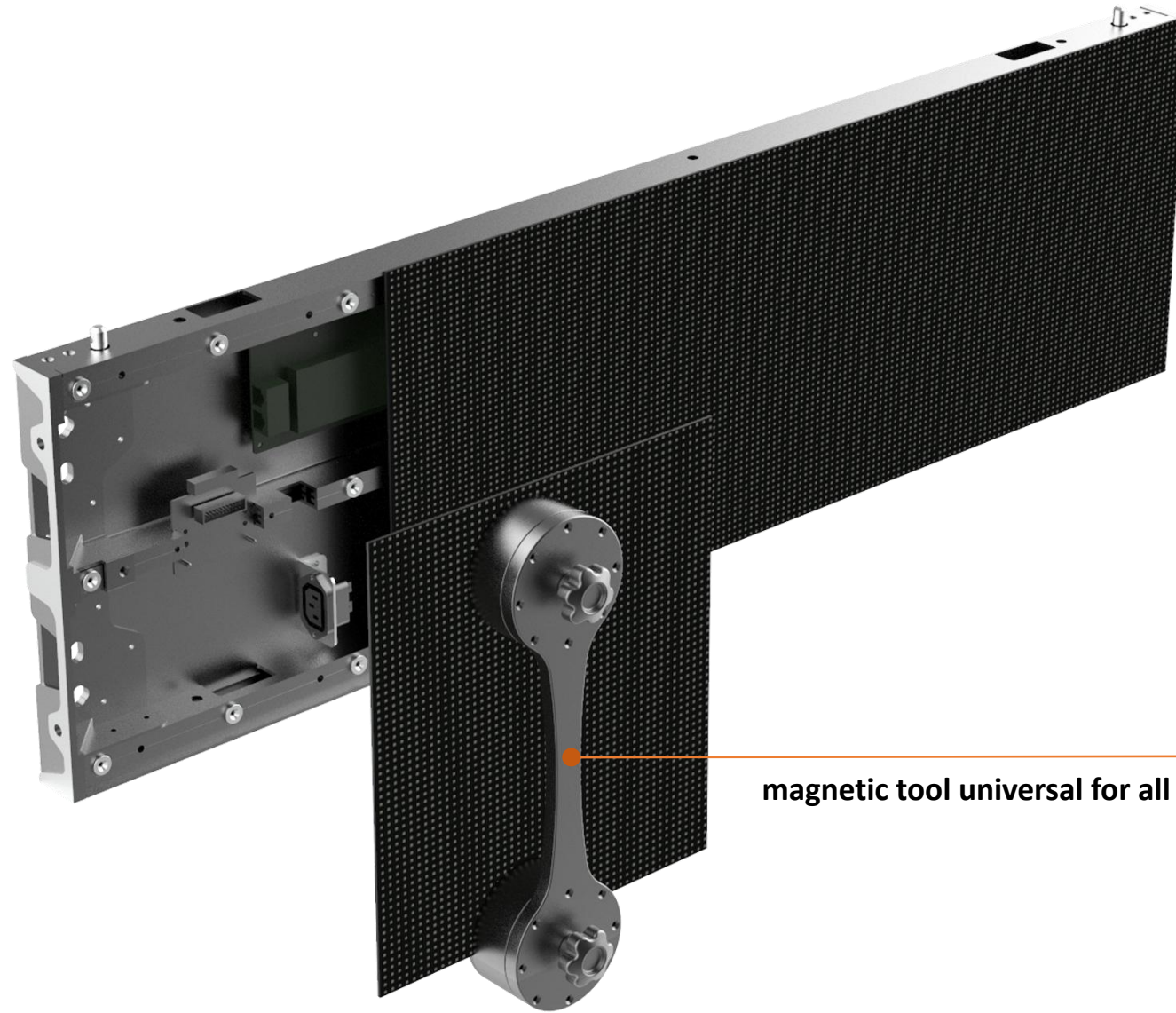
fix cabinet by spanner

Connect power and data cables between cabinets



**install modules with magnet suction**





**magnetic tool universal for all the pitches**

